

## AH

### Mounting instructions - Cover for LL-12 to LL-75

#### Delivery scope:

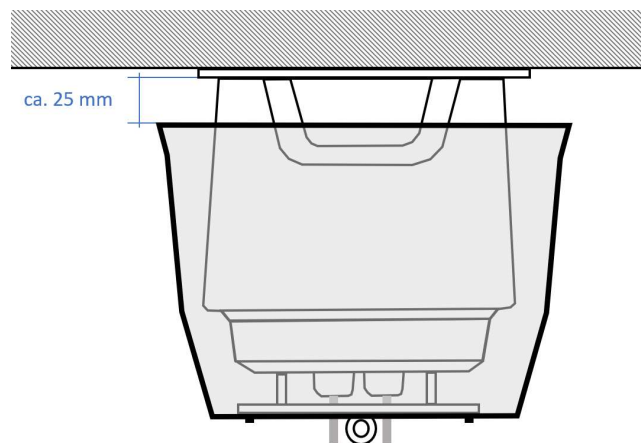
- Cover
- Mounting plate with blind rivet nuts M4
- Ring screw M8 with associated self-locking nut
- 4 spacers M6x35
- 4 screws M6x14
- 2 screws M4x14
- 2 cover caps, white

#### Required tools:

- Allen wrench size 3 and 4
  - Wrench size 10 and 13
- (Torque for M6 screws: max. 7 Nm;  
for M4 screws: max. 2 Nm)

#### Mounting:

When correctly fitted, the cover leaves a gap of approx. 25 mm through which the cables can be fed.



### 1.

Start with mounting the ring screw with the self-locking nut into the center hole. Ensure that the countersinks of the screws are on the ring side.



### 2.

Screw the 4 spacers to the lift.

Afterwards feed the cables through the designated holes and position the mounting plate below the spacers.



### 3.

Attach the mounting plate with the screws (M6x14) by screwing them into the spacers.



### 4.

Feed the cables and the ring screw through the designated holes.

Align the holes "C" of the Cover with the identical holes on the mounting plate.

Fix the cover with the screws (M4x14).

Use the cover caps if you are not using one, or both, of the cables.

