

Pack part numbers

196-000022 12v Winch Pack

196-000023 24v Winch Pack

**PennyHydraulics**

WINCHES



## PH6000FW Winch Pack

- 6000lbs/2721kg rolling load line pull
- 12v or 24v DC
- Lightweight at 39lbs/18kg
- Free wheel
- Supplied with 6mm diameter, 30ft/9.1m wire rope & hook assembly
- Full accessories kit included:

Individual  
part numbers

654-000006 30ft/6mm diameter wire rope and hook assembly

560-000016 3 button remote with emergency stop

195-000058 12v solenoid without wiring for overload  
or

195-000059 24v solenoid without wiring for overload

123-000035 Left hand 500kg winch guard

RFF400 Small roller fairlead

Fitting nuts and bolts (for bolting winch to vehicle)

562-000021 Winch Operating & Maintenance Handbook

### > APPLICATIONS

- Plant trailers
- Hunting
- ATV
- Boat trailers
- Caravans
- Car trailers (motorsport)

# PH6000FW Winch Pack

## Optional Accessories

- Radio remote control
- Snatch blocks
- Tree strops
- Slings
- Shackles

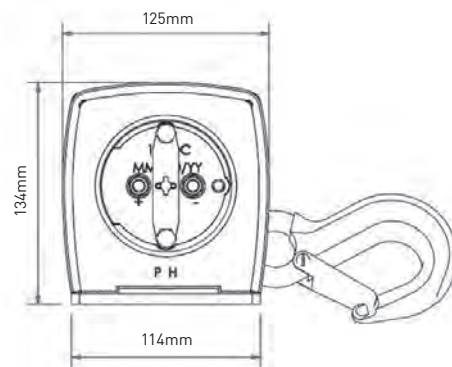
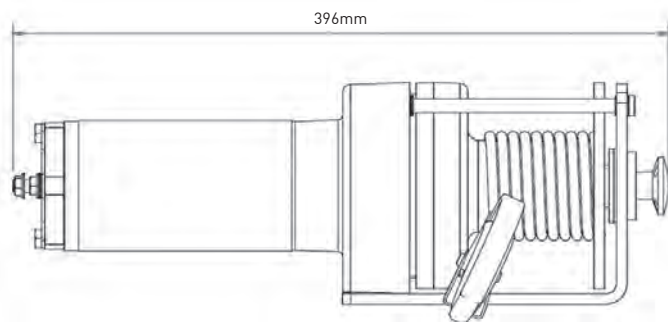


## Rolling Load Line Speed Performance

Rolling Load Line Pull (lbs/kg)	Line Speed (fpm/mpm)	Amp
No Load	19.0/5.8	20
1000/454	16.0/4.9	65
1400/635		
1600/727		
2000/907	12.5/3.8	110
2500/1136		
3000/1360	9.3/2.81	150
3300/1497		
4000/1814	6.4/2.0	190
4200/1905		
5000/2268	3.3/1.0	220
6000/2721	Stall	250

## Layers/Length of Cable/Operational Rolling Load Line Pull

Layer of Cable	Total Cable on Drum (feet/metres)	Rolling Load Line Pull (lbs/kg)
1st	7/2.1	6000/2721
2nd	15/4.6	5000/2268
3rd	24/7.3	4200/1905
4th	34/10.4	3500/1587
5th	45/13.7	3100/1406



Penny Hydraulics Limited  
 Station Road | Clowne | Chesterfield  
 Derbyshire | S43 4AB | UK  
 t +44 (0) 1246 811475 | f +44 (0) 1246 810403  
 e sales@pennyhydraulics.com  
 w pennyhydraulics.com

