

PH50.2H

TECHNICAL DATA

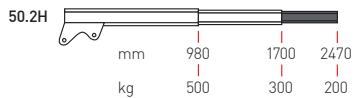
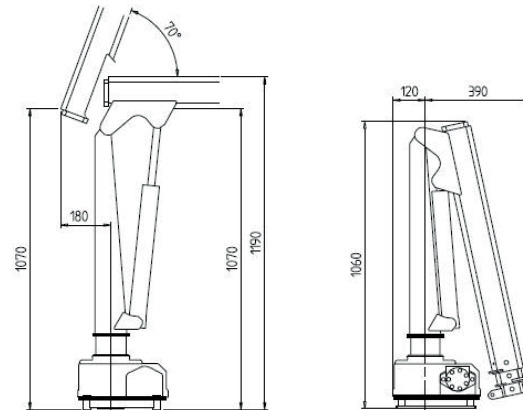
Lifting capacity	5kNm
Max. lifting height from crane base	3400mm
Max. working slope	4°
Max. working pressure	170bar
Electro-hydraulic power unit supply voltage	12V/24V
Max. absorption electro-hydraulic power unit	100A/50A
Hydraulic oil tank capacity	1.6l
Max. absorption electrical winch	30A

ACCESSORIES WEIGHTS

	kg
Stabiliser kit	20
Counter flange	6
Quick fitting kit	20
Back load attachment kit	1.7

CRANE WEIGHTS

	kg (without winch)	kg (with winch)
PH50.2H PLH	83	94



Hydraulic extension
 Standard manual extension
 Optional manual extension
 * "D" version

Penny Hydraulics Limited

Station Road | Clowne | Chesterfield | Derbyshire | S43 4AB | United Kingdom
 t +44 (0) 1246 811475 | f +44 (0) 1246 810403

w www.pennyhydraulics.com | e sales@pennyhydraulics.com

PennyHydraulics
 VEHICLE MOUNTED EQUIPMENT

