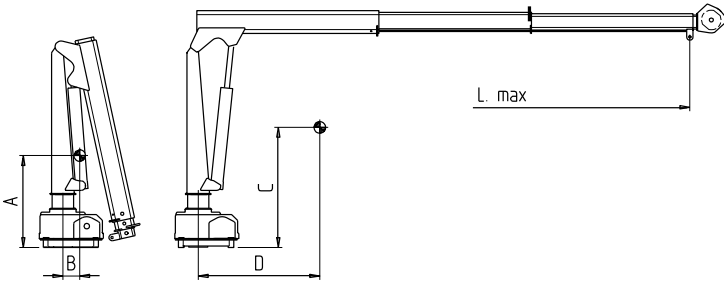
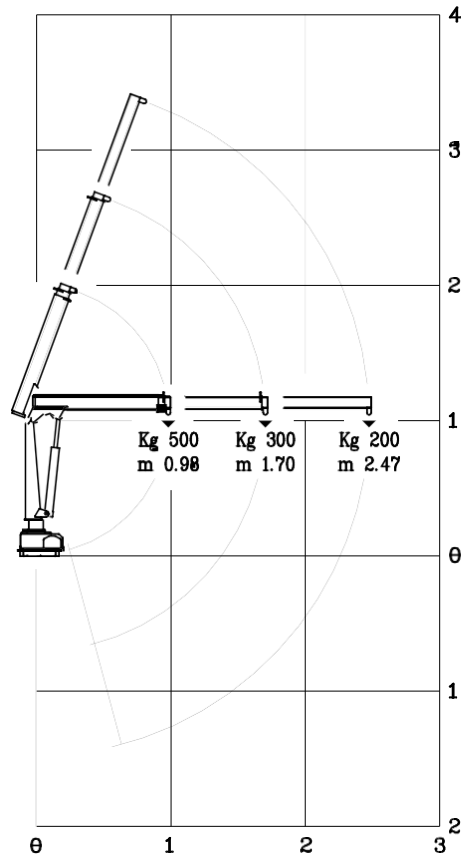




TECHNICAL SHEET

PH50.2M ERH

LOAD CHARTS



CENTRE OF GRAVITY

A	B	C	D	L. max
350	80	530	380	2470

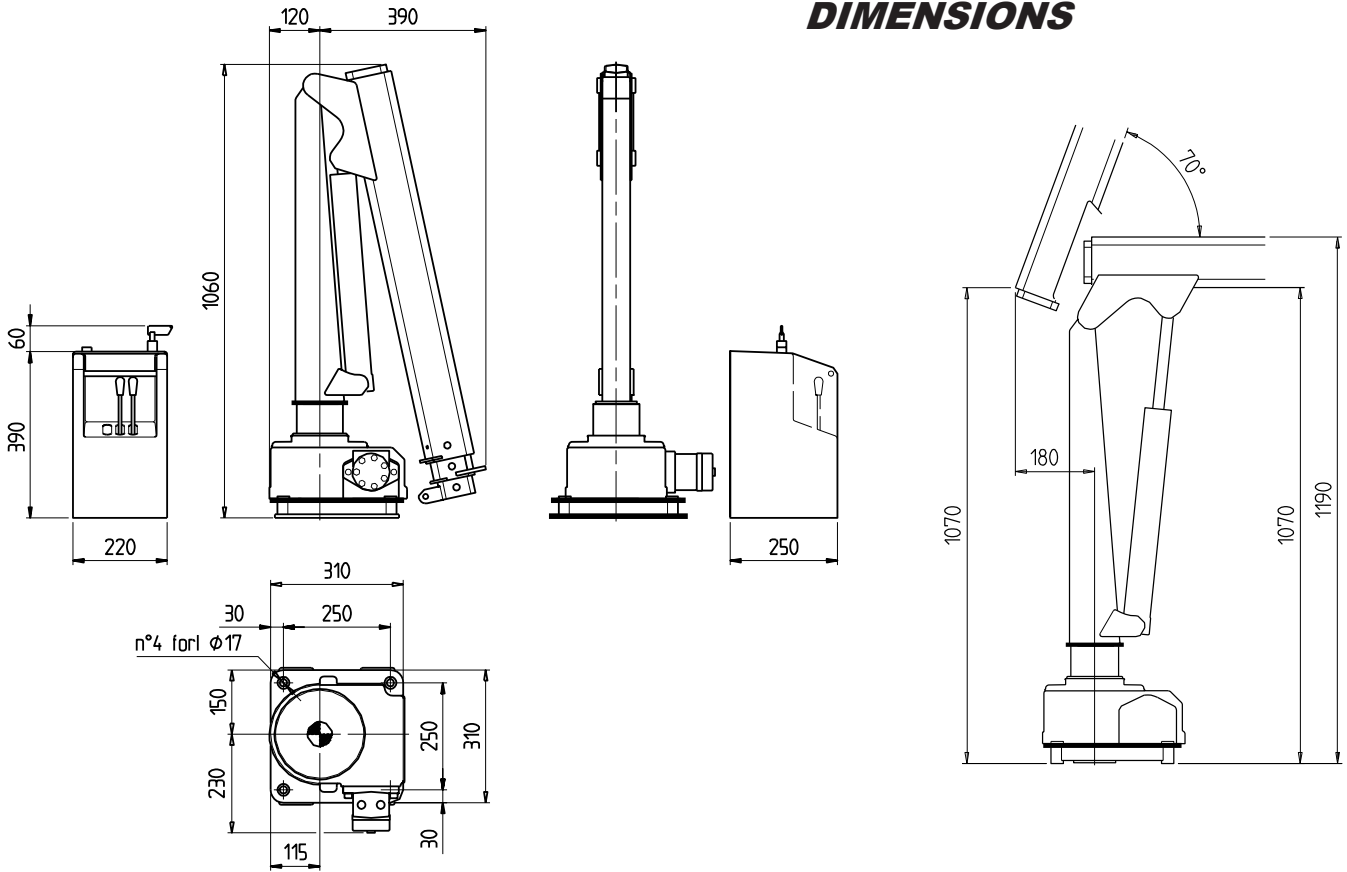
TECHNICAL DATA

CRANE RATING	M	kNm	5.0
EXTENSION NUMBER (HYDRAULIC, MECHANICAL)	N°		2M
MAX HEIGHT FROM THE BASE	m		3.40
MAX. ANGLE SLOPE	°		4°
MAX. WORKING PRESSURE	Bar		170
BASIC CRANE WEIGHT	kg		78
CRANE WEIGHT WITH STABILIZER KIT	kg		98
VOLTAGE RATING	V		12
MAX. ELECTRIC MOTOR ABSORPTION	A		100
MAX. SLEWING ANGLE	°		330

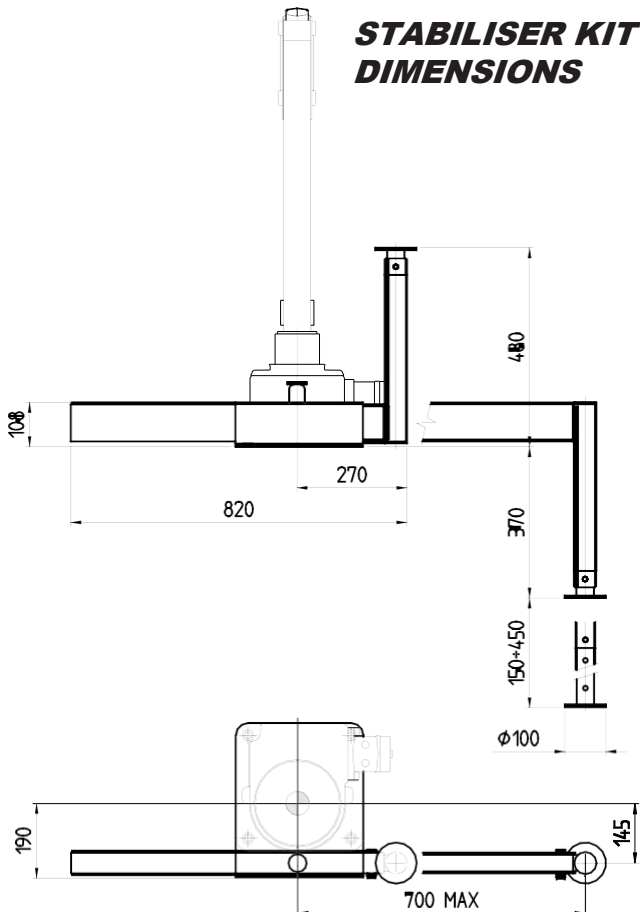
OPERATING TIMES		
LIFTING	Sec	30
LOWERING	Sec	20
SLEWING	Sec	22
	180°	
	180°	

Cod.: MP.0.152_I_GB
Rev.: 0

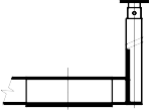
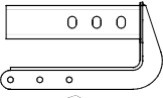
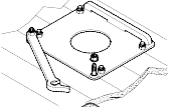
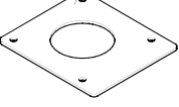
DIMENSIONS



STABILISER KIT DIMENSIONS



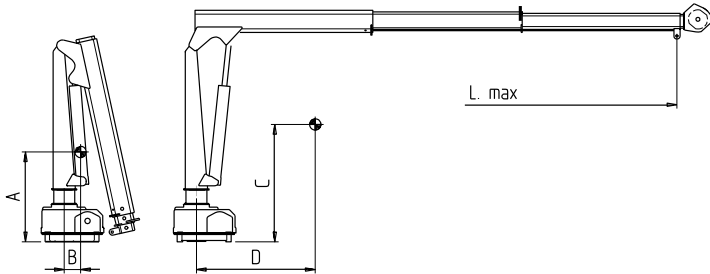
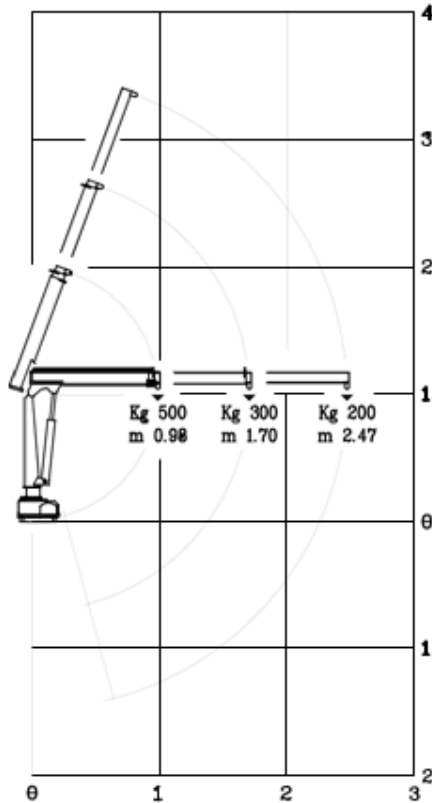
OPTIONALS

<input type="checkbox"/>	PS	STABILIZZATORE STABILISER KIT		kg 20
<input type="checkbox"/>	AC	LOAD BACKING ATTACHEMENT		kg 1.7
<input type="checkbox"/>	FR	QUICK FITTING KIT		kg 10
<input type="checkbox"/>	CP	BASE COUNTER FLANGE		kg 6



TECHNICAL SHEET PH50.2M PLH

LOAD CHARTS



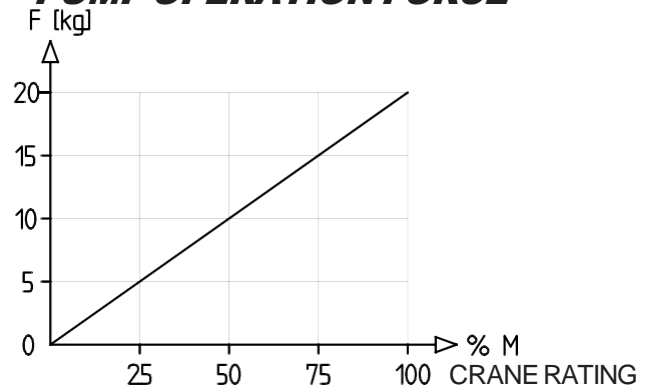
CENTRE OF GRAVITY

A	B	C	D	L. max
355	80	550	400	2470

TECHNICAL DATA

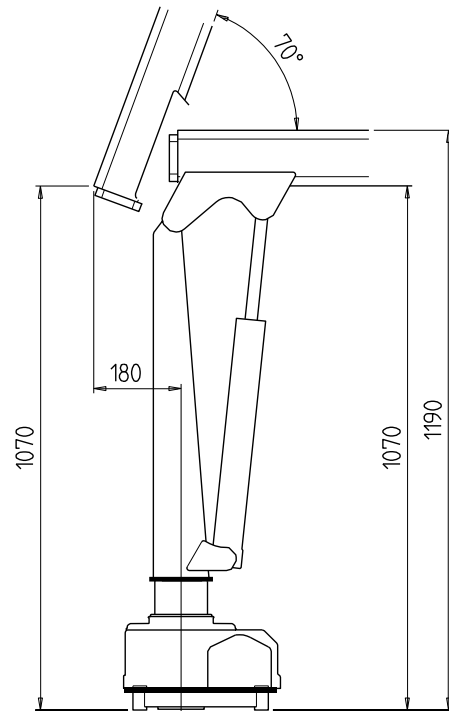
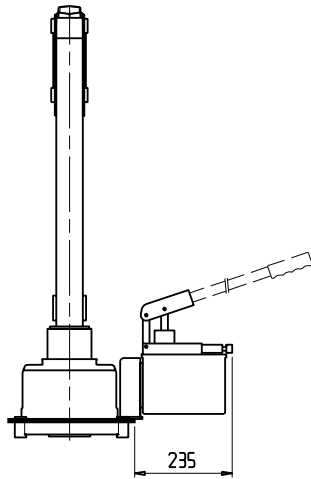
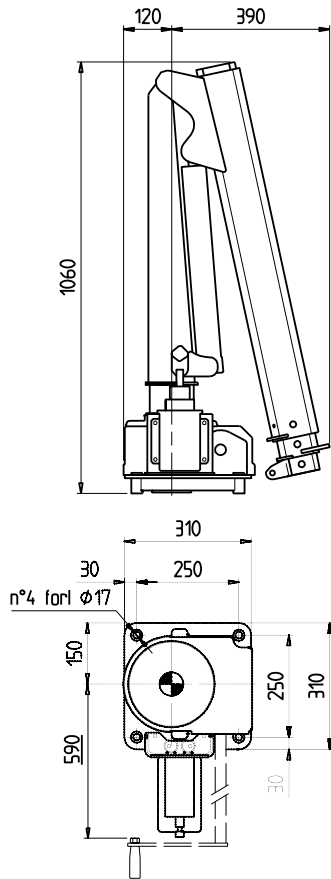
CRANE RATING	$\frac{M}{M}$	KNm	5.0
EXTENSION NUMBER (HYDRAULIC MECHANICAL)	N°		2M
MAX. HEIGHT FROM THE BASE		m	3.40
MAX. ANGLE SLOPE		°	4°
MAX. WORKING PRESSURE		Bar	170
BASIC CRANE WEIGHT		Kg	74
CRANE WEIGHT WITH STABILIZER KIT		Kg	94
MAX. SLEWING ANGLE		°	330

PUMP OPERATION FORCE

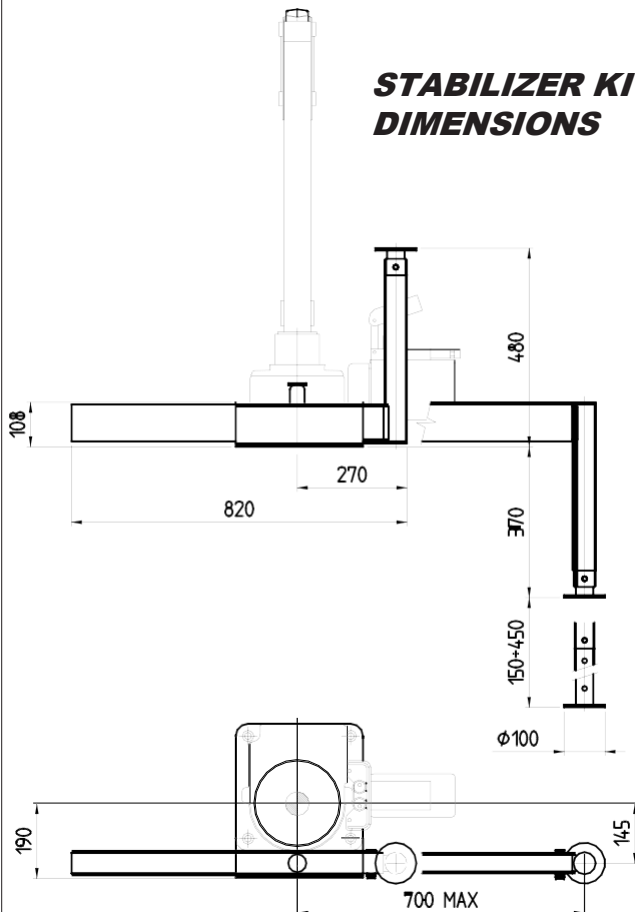


Cod.: MP.0.145_I_GB
Rev.: 0

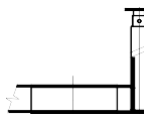
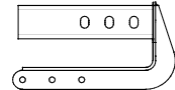
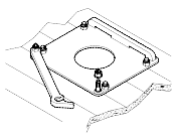
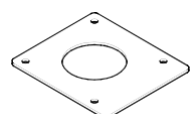
DIMENSIONS



STABILIZER KIT DIMENSIONS



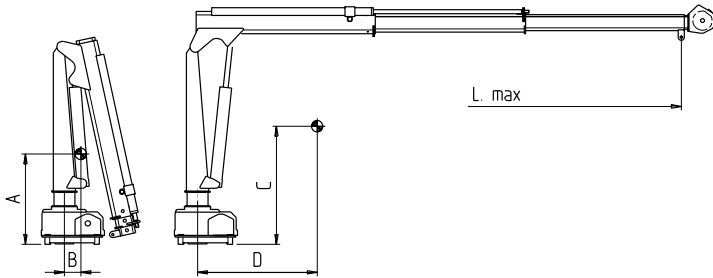
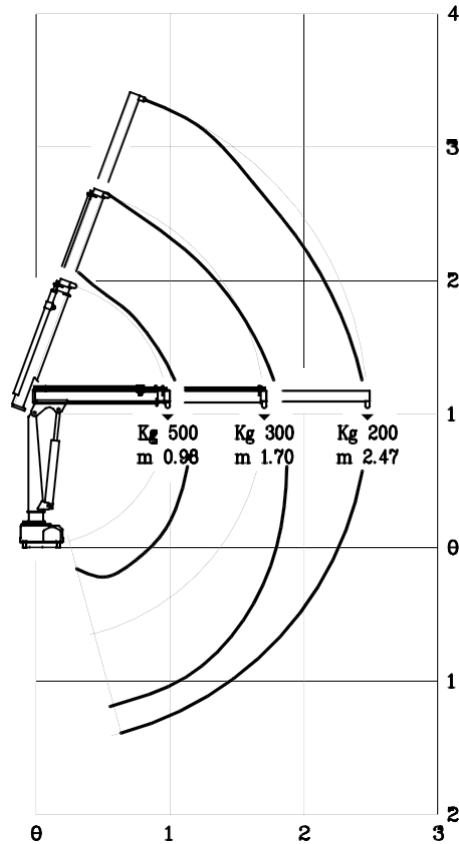
OPTIONALS

<input type="checkbox"/>	PS	EXTENDABLE		kg 20
<input type="checkbox"/>	AC	ATTACCO ARRETRAMENTO CARICO LOAD BACKING ATTACHEMENT		kg 1.7
<input type="checkbox"/>	FR	PIASTRA STAFFAGGIO RAPIDO QUICK FITTING KIT		kg 10
<input type="checkbox"/>	CP	CONTROPIASTRA DI STAFFAGGIO BASE COUNTER FLANGE		kg 6



TECHNICAL SHEET PH50.2H PLH

LOAD CHARTS



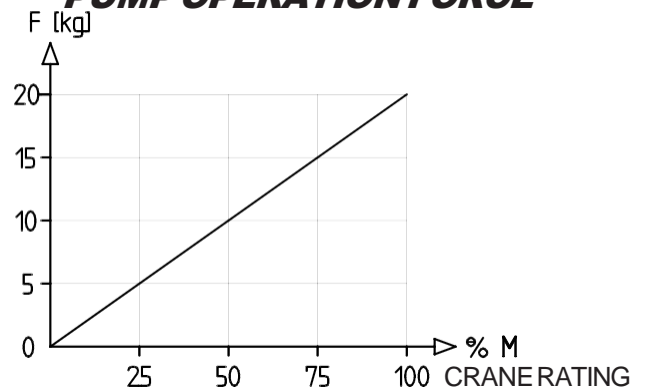
CENTRE OF GRAVITY

A	B	C	D	L. max
365	90	580	410	2470

TECHNICAL DATA

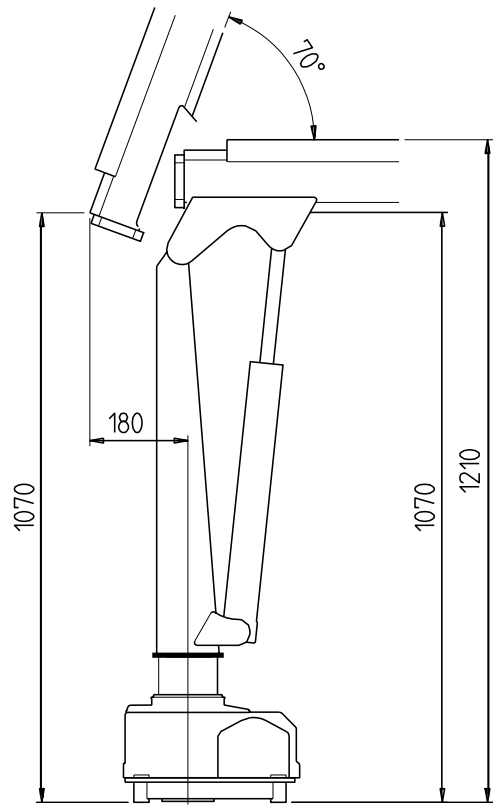
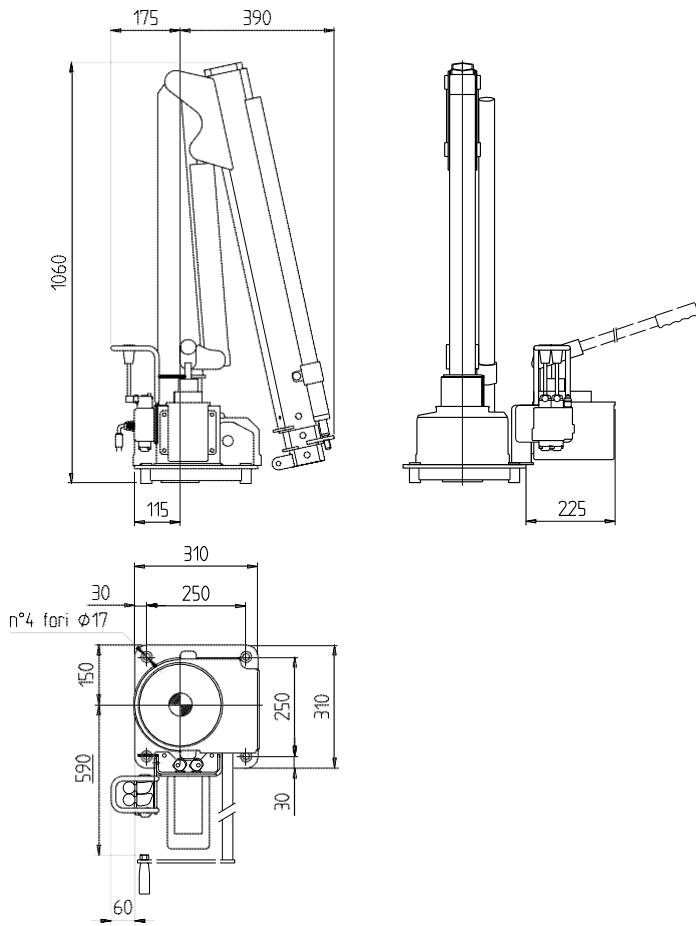
CRANE RATING	M	KNm	5.0
EXTENSION NUMBER (HYDRAULIC MECHANICAL)	M	N°	1H + 1M
MAX. HEIGHT FROM THE BASE		m	3.40
MAX. ANGLE SLOPE		°	4°
MAX. WORKING PRESSURE		Bar	170
BASIC CRANE WEIGHT		Kg	83
CRANE WEIGHT WITH STABILIZER KIT		Kg	103
MAX. SLEWING ANGLE		°	330

PUMP OPERATION FORCE

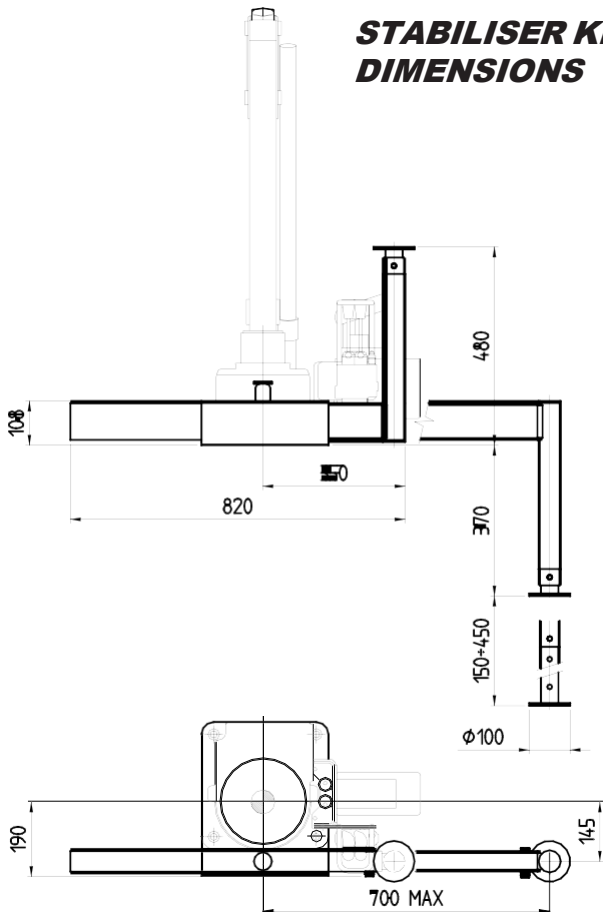


Cod.: MP0.149_I_GB
Rev.: 1

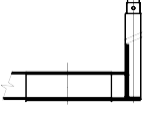
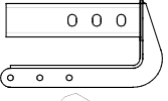

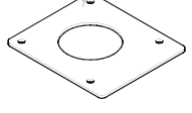
DIMENSIONI - DIMENSIONS



STABILISER KIT DIMENSIONS



OPTIONALS

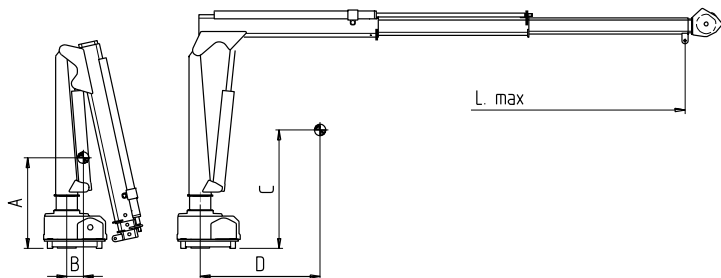
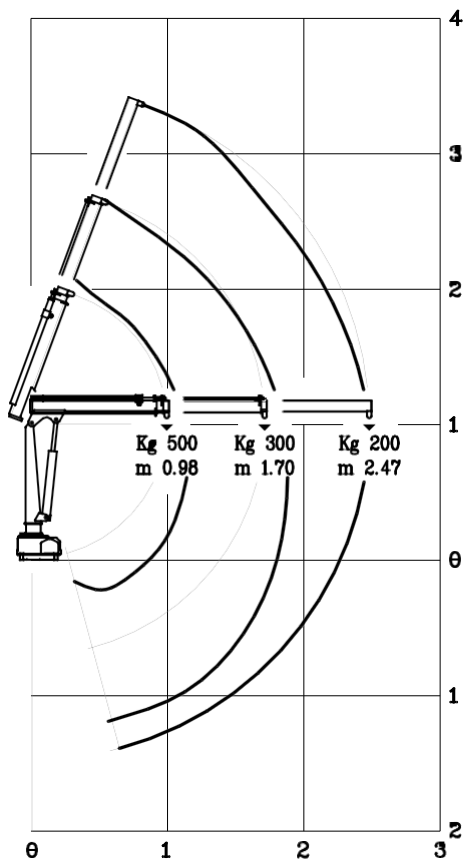
<input type="checkbox"/>	PS	EXTENDABLE		kg 20
<input type="checkbox"/>	AC	LOAD BACKING ATTACHMENT		kg 1.7
<input type="checkbox"/>	FR	QUICK FITTING KIT		kg 10
<input type="checkbox"/>	CP	BASE COUNTER FLANGE		kg 6



TECHNICAL SHEET

PH50.2H ELH

LOAD CHARTS



CENTRE OF GRAVITY

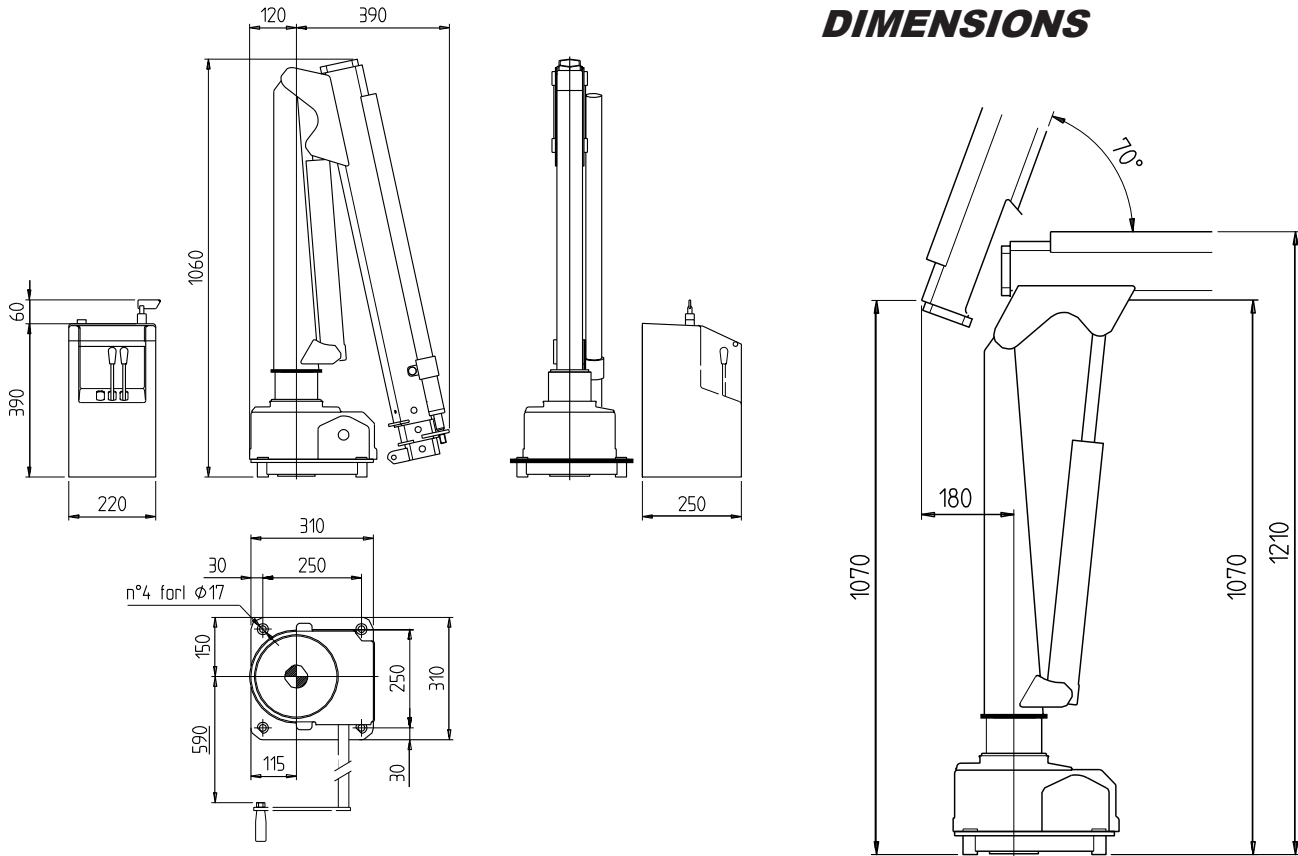
A	B	C	D	L. max
380	90	600	420	2470

TECHNICAL DATA

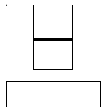
CRANE RATING	M	KNm	5.0
EXTENSION NUMBER (HYDRAULIC, MECHANICAL)		N°	1H + 1M
MAX HEIGHT FROM THE BASE		m	3.40
MAX. ANGLE SLOPE		°	4°
MAX. WORKING PRESSURE		Bar	170
BASIC CRANE WEIGHT		Kg	80
CRANE WEIGHT WITH STABILIZER KIT		Kg	100
VOLTAGE RATING		V	12
MAX. ELECTRICAL MOTOR ABSORPTION		A	100
MAX. SLEWING ANGLE		°	330

TEMPI DI FUNZIONAMENTO - OPERATING TIMES		
LIFTING	Sec	30
LOWERING	Sec	20
EXTENSION OUT	Sec	15
EXTENSION IN	Sec	12

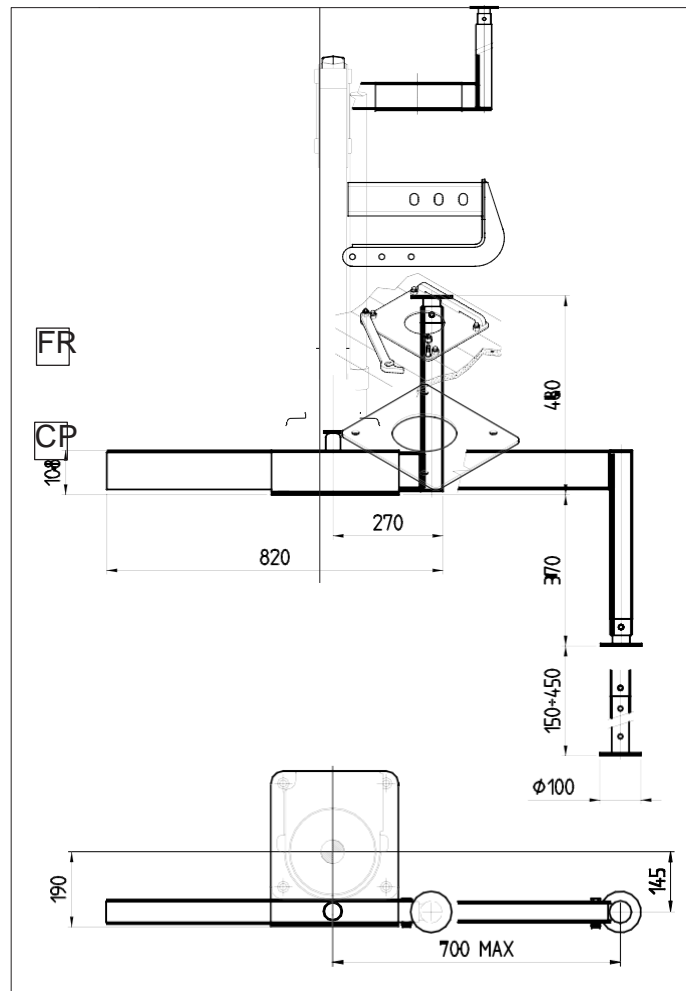
DIMENSIONS



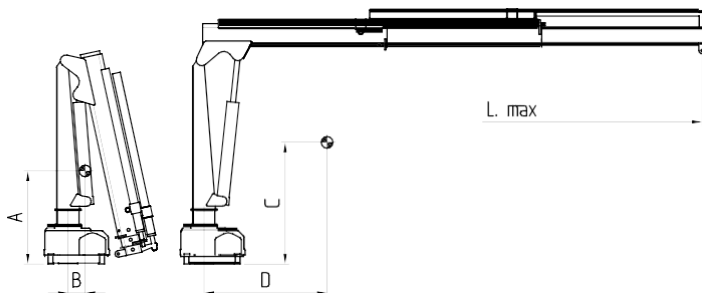
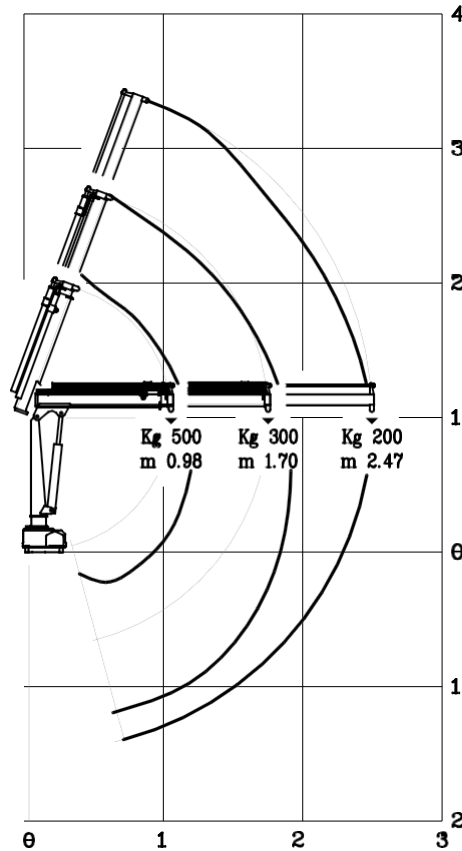
STABILISER KIT DIMENSIONS



OPTIONALS



LOAD CHARTS



CENTRE OF GRAVITY

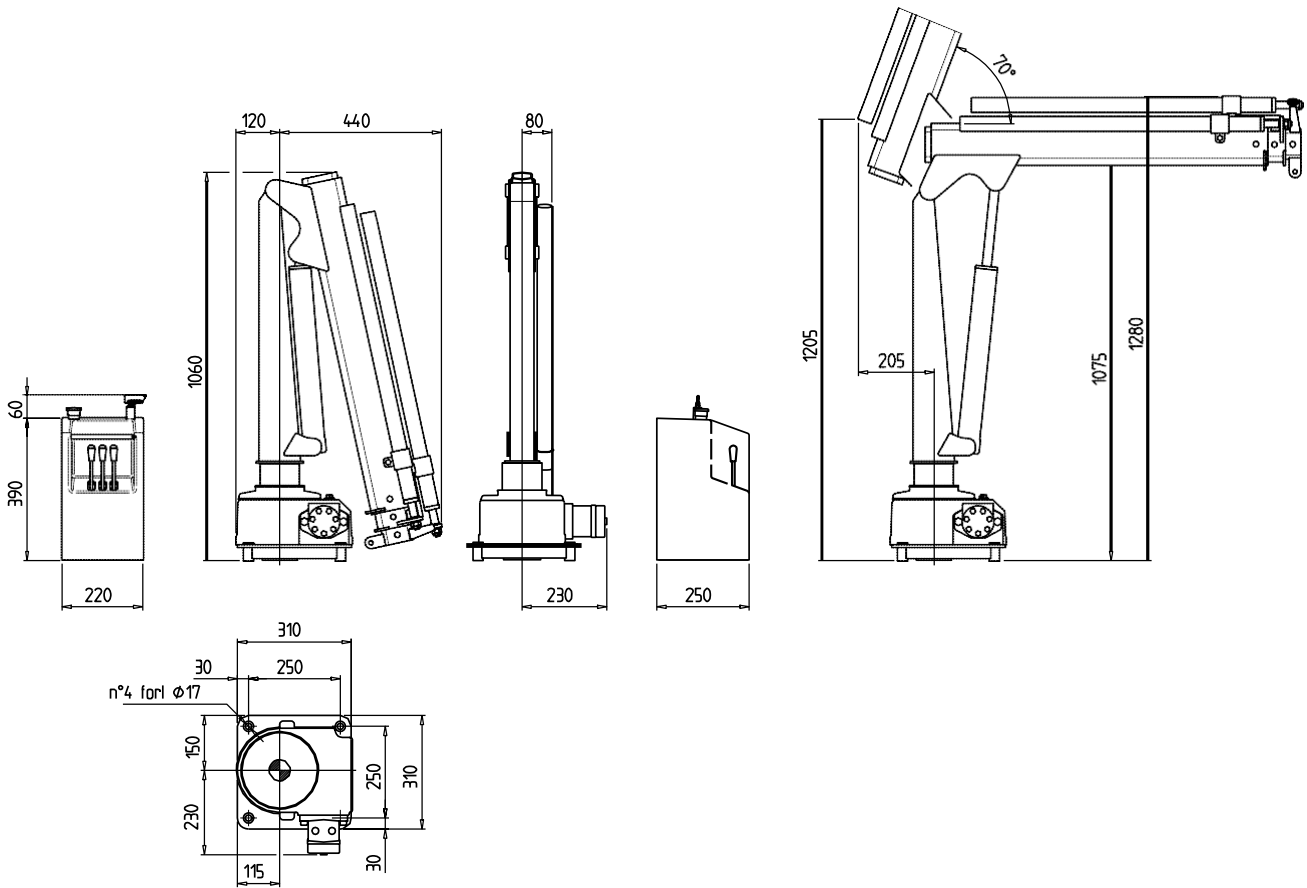
A	B	C	D	L. max
380	100	620	480	2470

TECHNICAL DATA

CRANE RATING	M	KNm	5.0
EXTENSION NUMBER (HYDRAULIC, MECHANICAL)		N°	2H
MAX HEIGHT FROM THE BASE		m	3.40
MAX. ANGLE SLOPE		°	4°
MAX. WORKING PRESSURE		Bar	170
BASIC CRANE WEIGHT		Kg	91
CRANE WEIGHT WITH STABILIZER KIT		Kg	105
VOLTAGE RATING		V	12
MAX. ELECTRICAL MOTOR ABSORPTION		A	100
MAX. SLEWING ANGLE		°	330



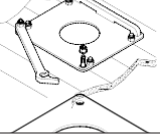
OPERATING TIMES		
LIFTING	Sec	30
LOWERING	Sec	20
EXTENSION OUT	Sec	15
EXTENSION IN	Sec	12
SLEWING 180°	Sec	22

DIMENSIONS



OPTIONALS

PS **STABILIZER KIT**
TABILIZZAZIONE **DIMENSIONS**

<input type="checkbox"/>	PH		<input type="checkbox"/>	kg 20
<input type="checkbox"/>	AC	LOAD BACKING ATTACHMENT		kg 1.7
<input type="checkbox"/>	FR	QUICK FITTING KIT		kg 10
<input type="checkbox"/>	CP	BASE COUNTER FLANGE		

