

PennyHydraulics

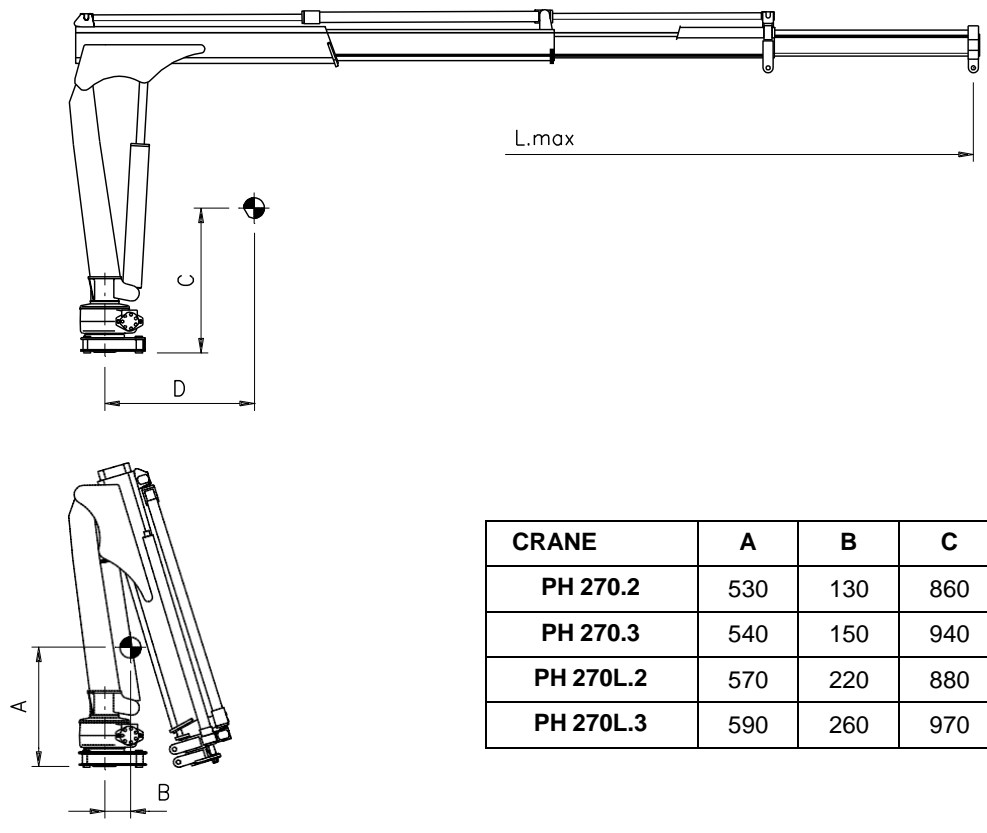
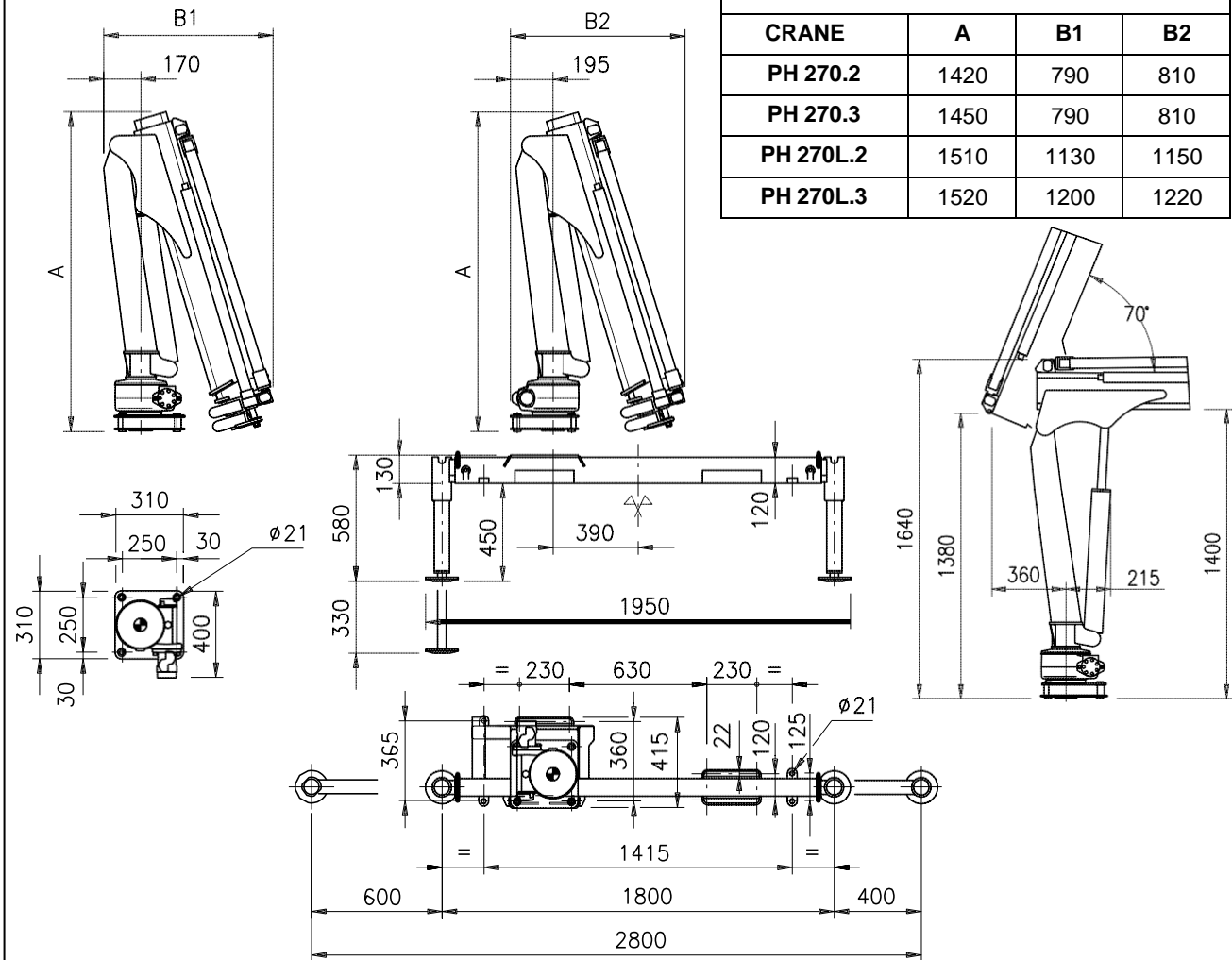
VEHICLE MOUNTED EQUIPMENT

TECHNICAL SHEET



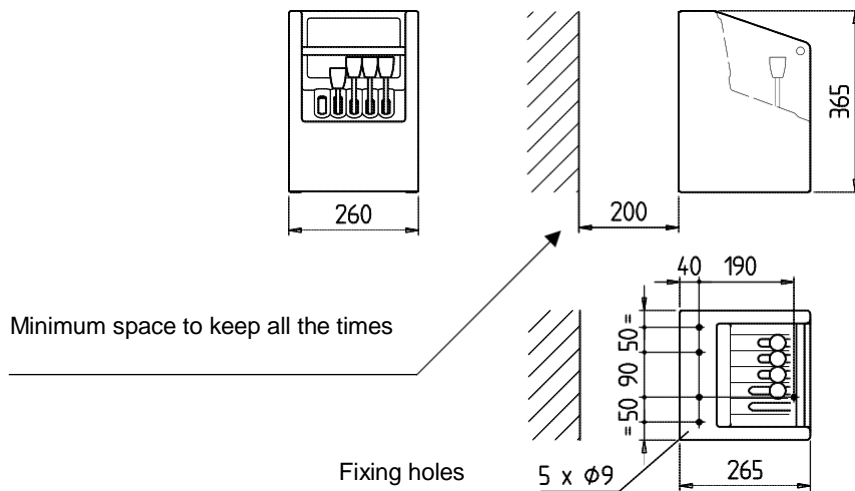
PH 270

DIMENSIONS			
CRANE	A	B1	B2
PH 270.2	1420	790	810
PH 270.3	1450	790	810
PH 270L.2	1510	1130	1150
PH 270L.3	1520	1200	1220

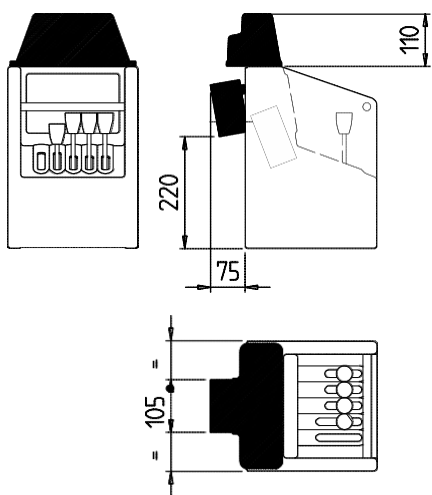


CRANE	A	B	C	D	L max
PH 270.2	530	130	860	620	3200
PH 270.3	540	150	940	940	4200
PH 270L.2	570	220	880	770	3800
PH 270L.3	590	260	970	1170	5000

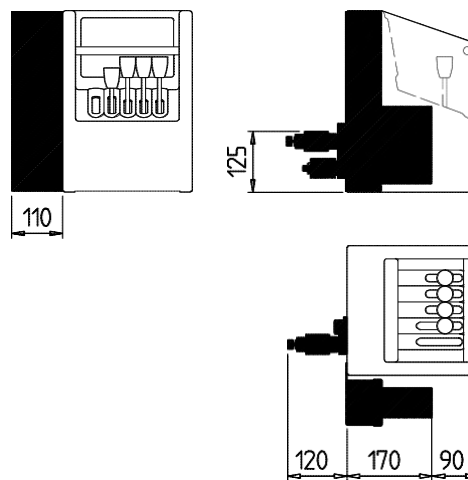
Standard control station



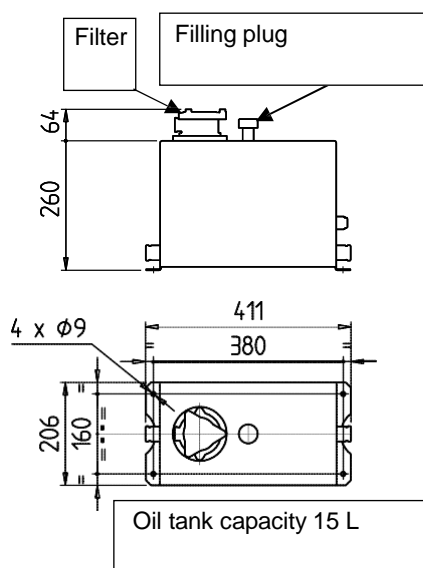
Control station with SCU



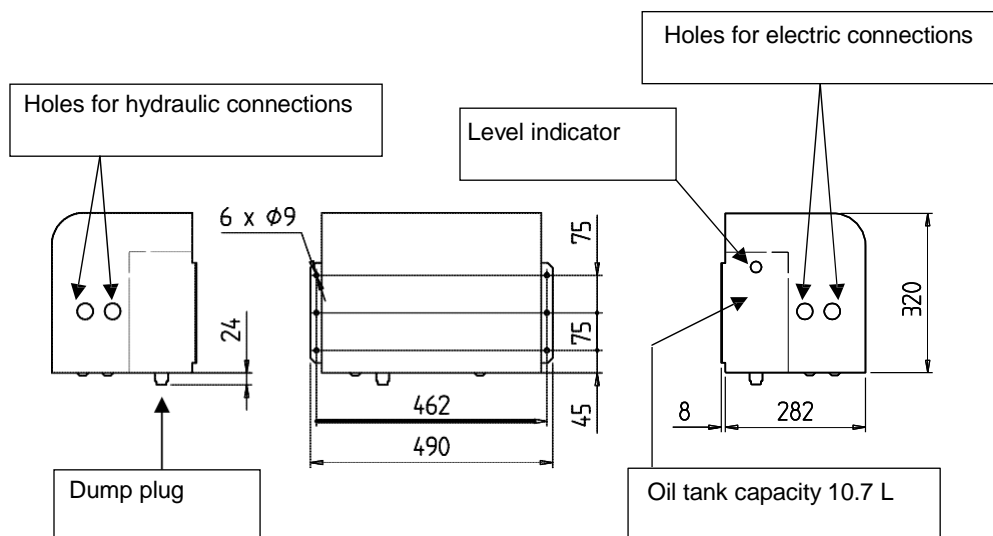
Control station with remote control



Oil tank for H version



Power pack (E version)



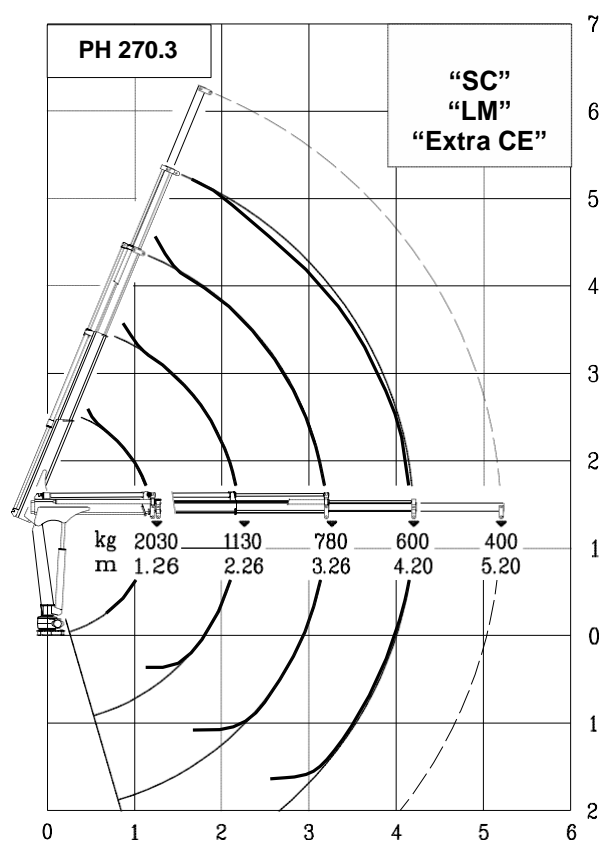
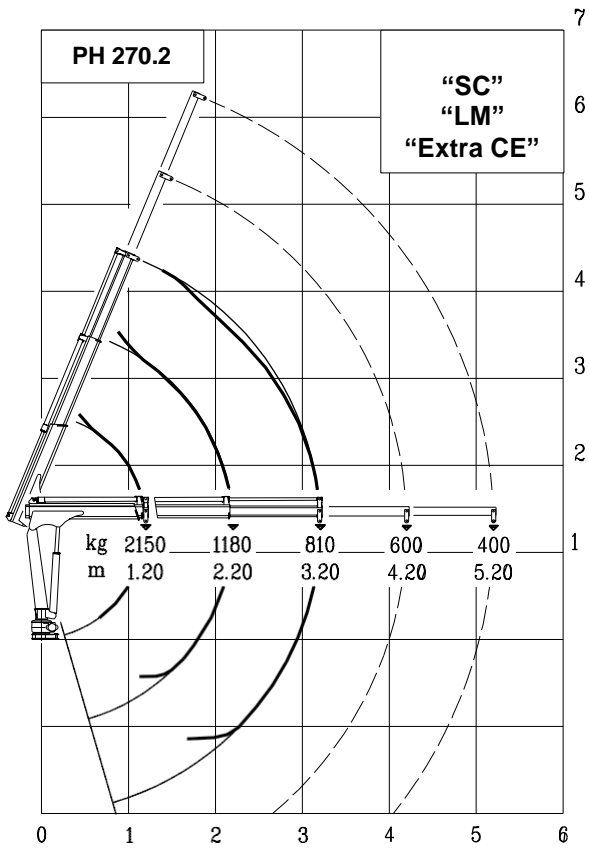
TECHNICAL DATA	U.M.	VERSION			
		PH 270.2	PH 270.3	PH 270L.2	PH 270L.3
CRANE RATING	kNm	25			
STANDARD EXTENSIONS Nr (HYDRAULICS)	N°	2H	3H	2H	3H
STANDARD OUTREACH	m	3.20	4.20	3.80	5.00
SLEWING ANGLE	°	360°			
MAXIMUM ANGLE SLOPE	°	5°			
SLEWING TORQUE	kNm	3.5			
MAX. LIFTING HEIGHT FROM CRANE BASE	m	4.30	5.20	4.80	5.90
SUGGESTED OIL FLOW	l/min	10÷12			
MAX. WORKING PRESSURE	bar	220			
BASIC CRANE WEIGHT VERS. H VERS. E	kg	225 245	255 275	235 255	270 290
BASE WEIGHT WITH EXTENDABLE STABILIZERS	kg	102÷109			
BEAM WEIGHT WITH 2 EXTENDABLE STABILIZERS	kg	69÷83			
MOTOR ABSORPTION FOR ELECTROHYDR. CRANE 12V	A min/max	80/240	80/240	80/240	80/240
MOTOR ABSORPTION FOR ELECTROHYDR. CRANE 24V	A min/max	50/150	50/150	50/150	50/150

WINCH SPECIFICATIONS	U.M.	
MAX. WINCH SINGLE LINE CAPACITY (3 rd LAYER)	kg	700
ROPE DIAMETER	mm	7
ROPE LENGTH	m	25
WINCH KIT WEIGHT	kg	70

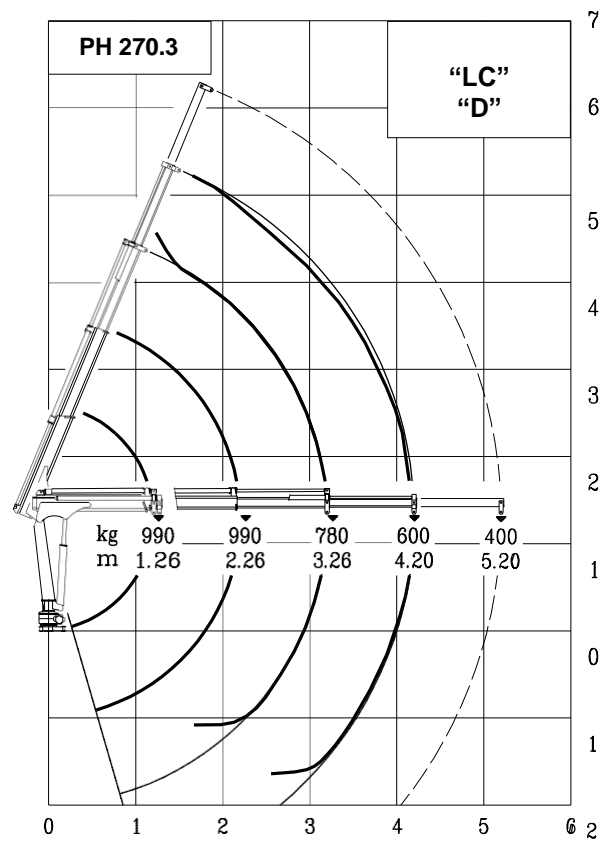
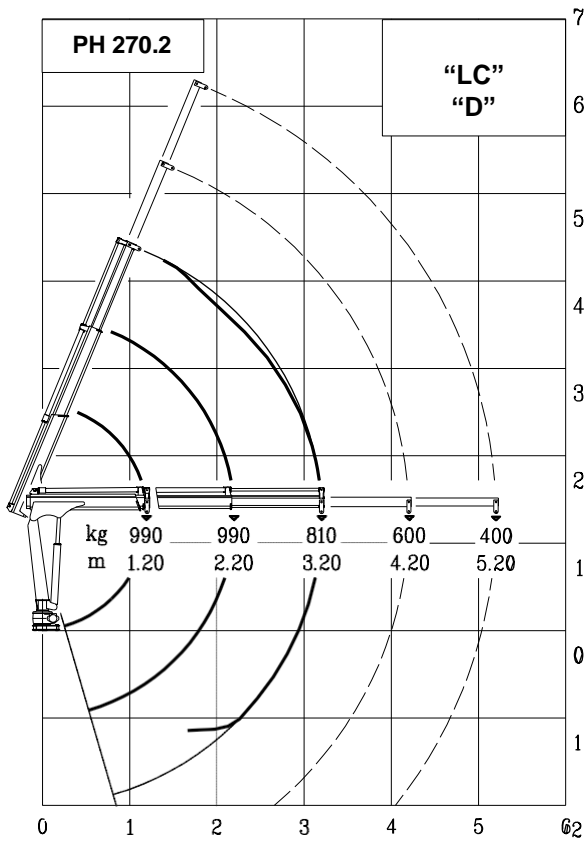
VERSION	DESCRIPTION
"E" 12V	ELECTROHYDRAULIC
"E" 24V	ELECTROHYDRAULIC
"H"	HYDRAULIC

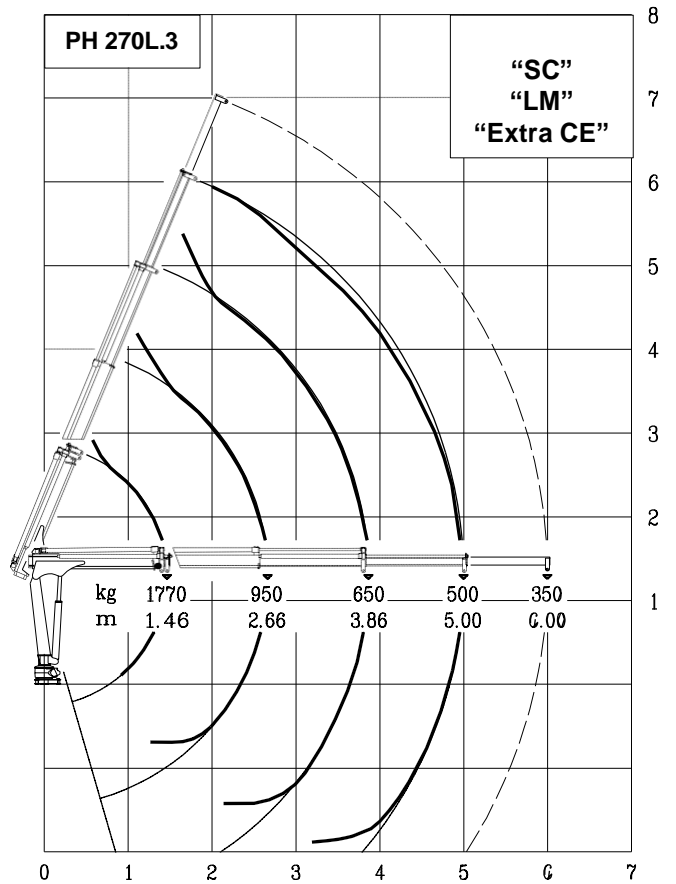
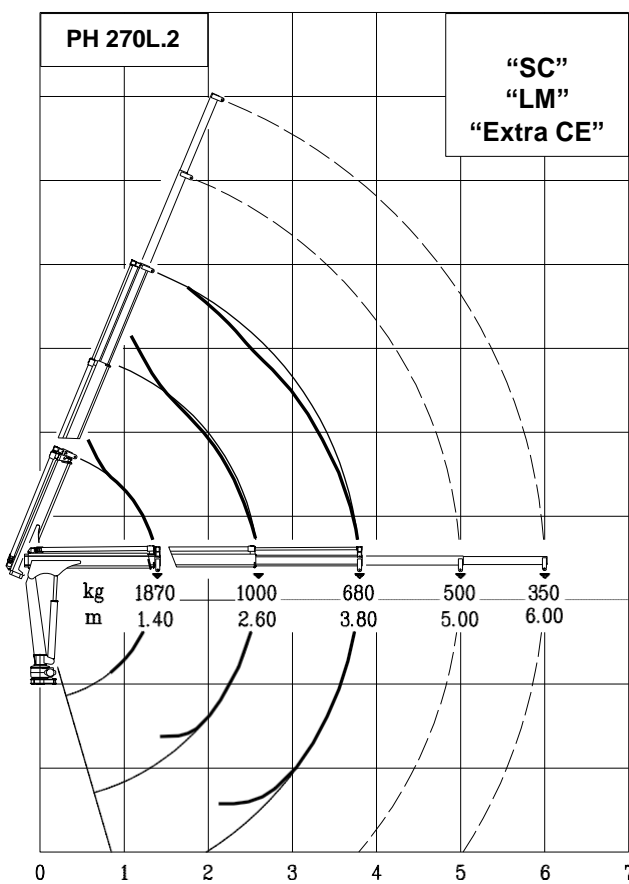
OPERATING TIMES												
VERS.	SLEW. (rpm)	LIFT. (sec)		LOWERING (sec)	EXTENSION OUT (sec)				EXTENSION IN (sec)			
		p min	p max		270.2	270.3	270L.2	270L.3	270.2	270.3	270L.2	270L.3
"E" 12/24V	2.4	17	30	16	16	23	19	28	8	13	9	15
"H" (PTO)	2.7	17		16	16	23	19	28	8	13	9	15

min. working pressure p max:– max. working pressure

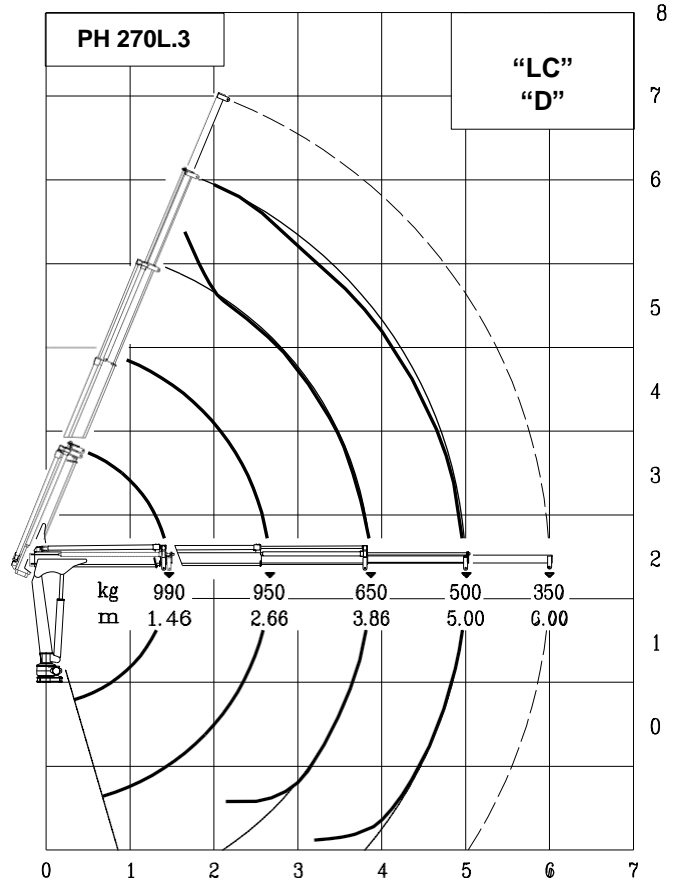
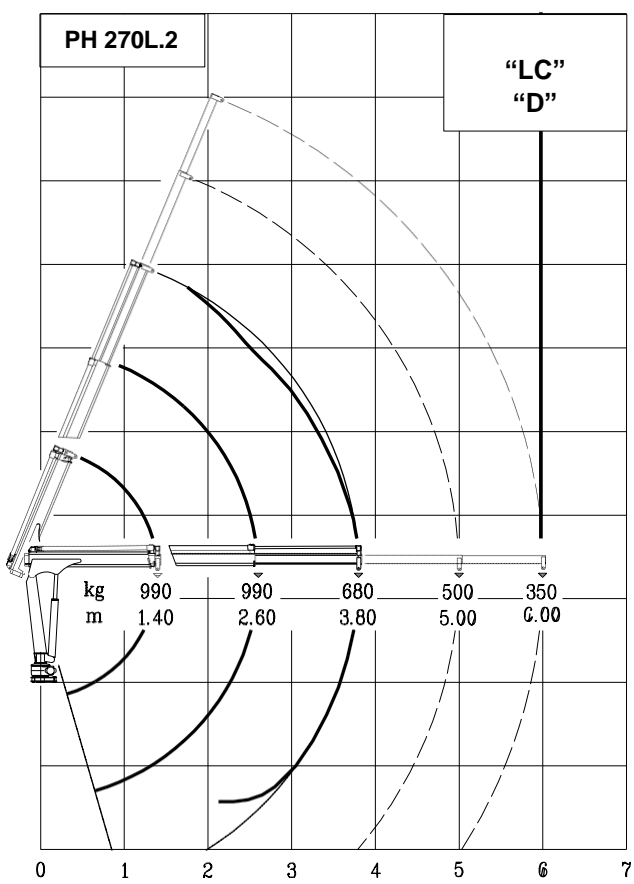


In the "SC" and "LM" versions, the mechanical extensions are not controlled by the load limiter





In the “SC” and “LM” versions, the mechanical extensions are not controlled by the load limiter



Lifting class **HC1 – HD4/B2**