



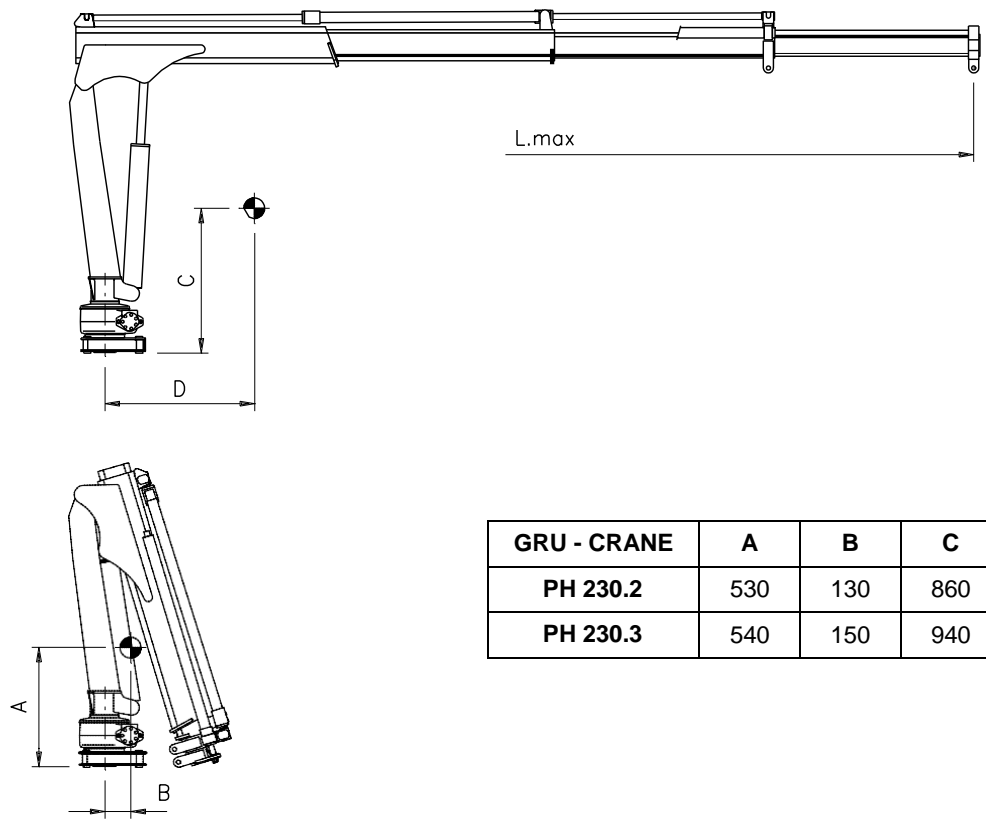
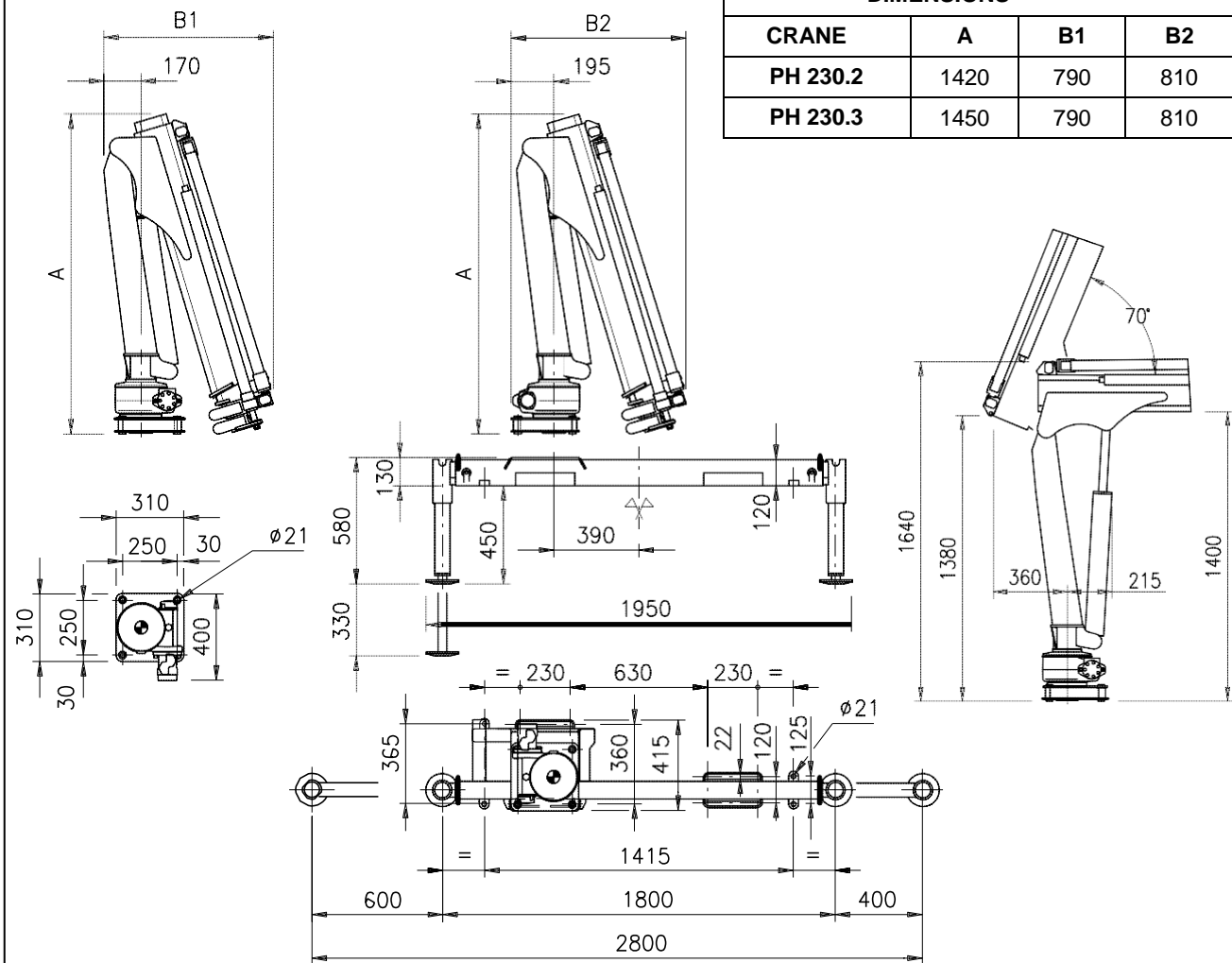
TECHNICAL SHEET



PH 230

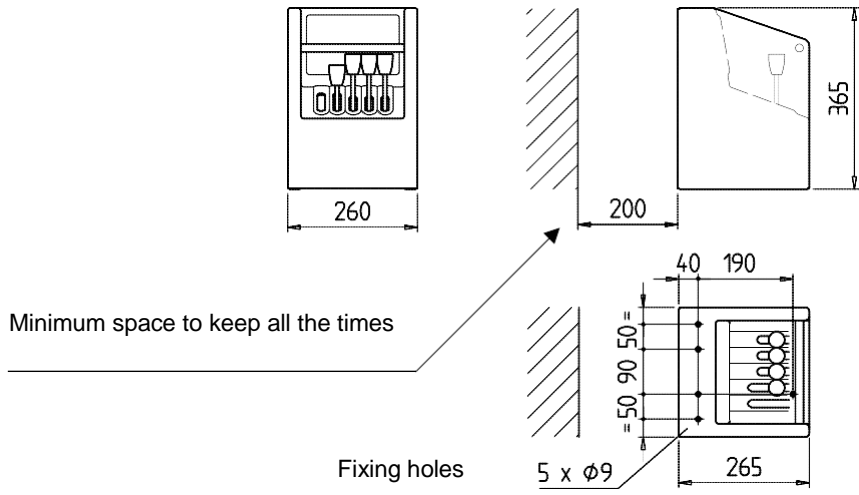
Cod.: MP.0.167 I-GB
Rev.: 1

DIMENSIONS			
CRANE	A	B1	B2
PH 230.2	1420	790	810
PH 230.3	1450	790	810

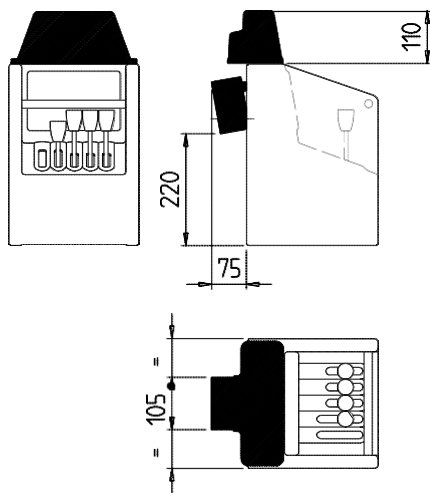


GRU - CRANE	A	B	C	D	L max
PH 230.2	530	130	860	620	3200
PH 230.3	540	150	940	940	4200

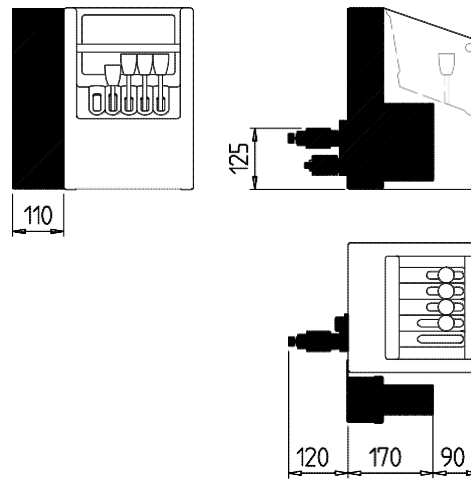
Standard control station



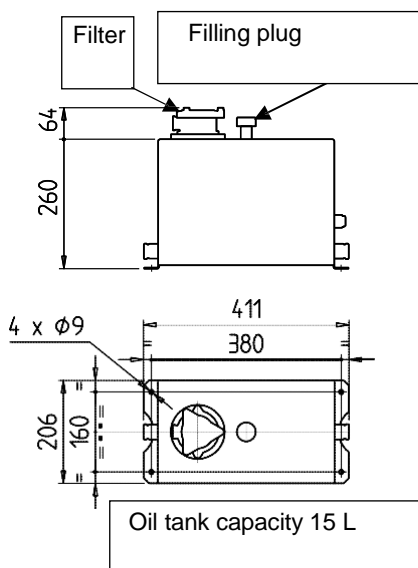
Control station with SCU



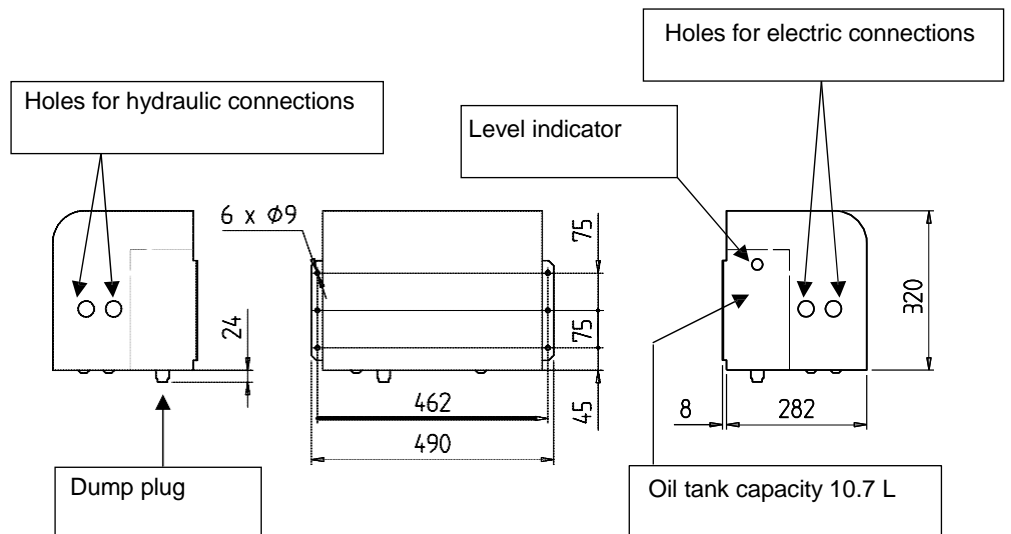
Control station with remote control



Oil tank for H version



Power pack (E version)



TECHNICAL DATA	U.M.	VERSION	
		PH 230.2	PH 230.3
CRANE RATING	kNm	22	
STANDARD EXTENSIONS Nr (HYDRAULICS)	N°	2H	3H
STANDARD OUTREACH	m	3.20	4.20
SLEWING ANGLE	°	360°	
MAXIMUM ANGLE SLOPE	°	5°	
SLEWING TORQUE	kNm	3.2	
MAX. LIFTING HEIGHT FROM CRANE BASE	m	4.30	5.20
SUGGESTED OIL FLOW	l/min	8÷10	
MAX. WORKING PRESSURE	bar	200	
PESO GRU BASE VERS. H	kg	225	255
BASIC CRANE WEIGHT VERS. E		245	275
BASE WEIGHT WITH EXTENDABLE STABILIZERS	kg	102÷109	
BEAM WEIGHT WITH 2 EXTENDABLE STABILIZERS	kg	69÷83	
MOTOR ABSORPTION FOR ELECTROHYDR. CRANE 12V	A min/max	80/230	80/230
MOTOR ABSORPTION FOR ELECTROHYDR. CRANE 24V	A min/max	50/120	50/120

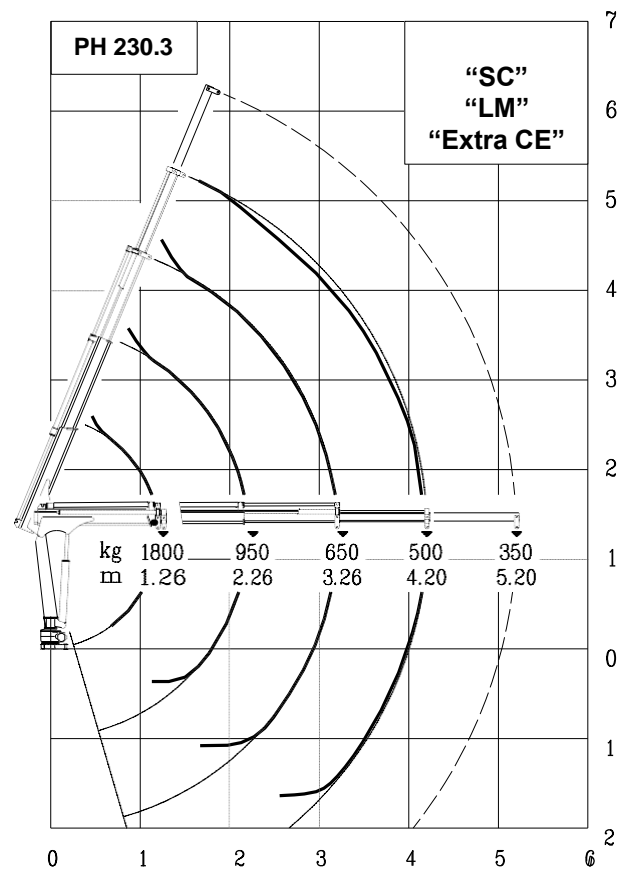
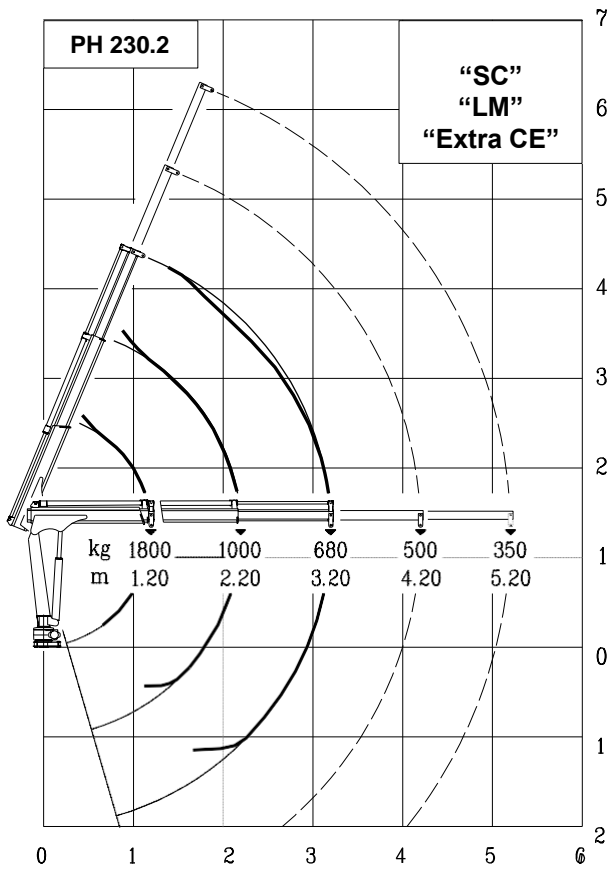
WINCH SPECIFICATIONS	U.M.	
MAX. WINCH SINGLE LINE CAPACITY (3 rd LAYER)	kg	500
ROPE DIAMETER	mm	7
ROPE LENGTH	m	25
WINCH KIT WEIGHT	kg	70

VERSION	DESCRIPTION
"E" 12V	ELECTROHYDRAULIC
"E" 24V	ELECTROHYDRAULIC
"H"	HYDRAULIC

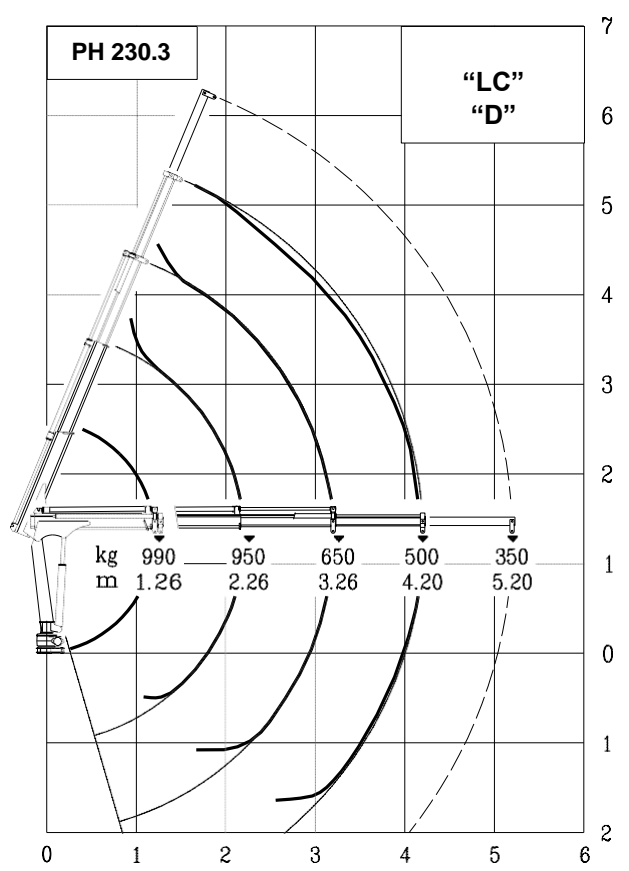
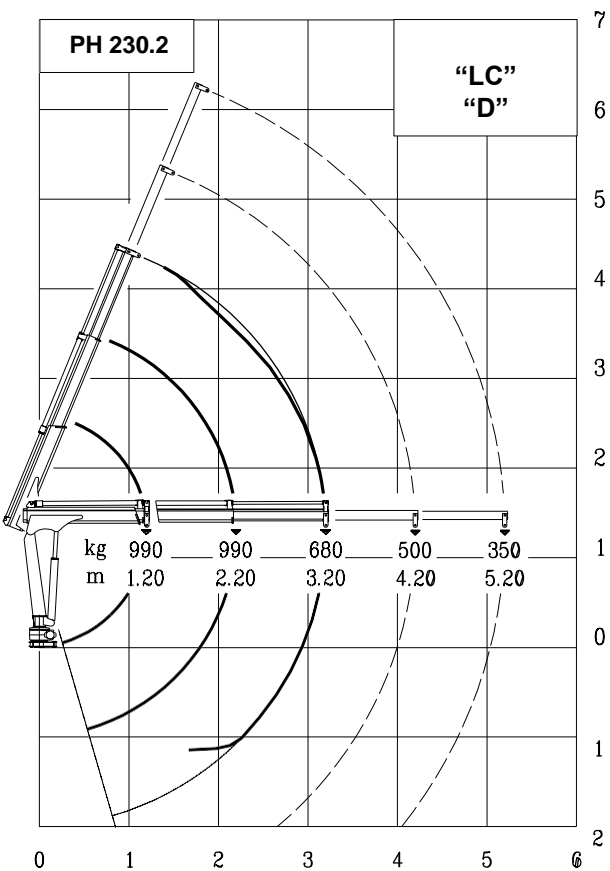
OPERATING TIMES								
VERS.	SLEWING (rpm)	LIFTING (sec)		LOWERING (sec)	EXTENSION OUT (sec)		EXTENSION IN (sec)	
		p min	p max		230.2	230.3	230.2	230.3
"E" 12/24V	2.0	20	35	20	19	29	10	15
"H" (PTO)	2.3	20		20	19	29	10	15

p min: pressione min. di esercizio – min. working pressure

p max: pressione max. di esercizio – max. working pressure



Nelle versioni "SC" e "LM", le prolunghe meccaniche non sono controllate dal limitatore
 In the "SC" and "LM" versions, the mechanical extensions are not controlled by the load limiter



Lifting class **HC1 – HD4/B2**